

## SRV, SRGV, SRGV2 Series

Kor-Lok Gauge Root Valves offer a safe and economical method of installing pressure switches, gauge and differential transmitters. By offering multiple outlets, these valves can accommodate a variety of gauge positions and handle operations. They are suitable for block and bleed where a purge valve, sampling line, or test pressure source is required.

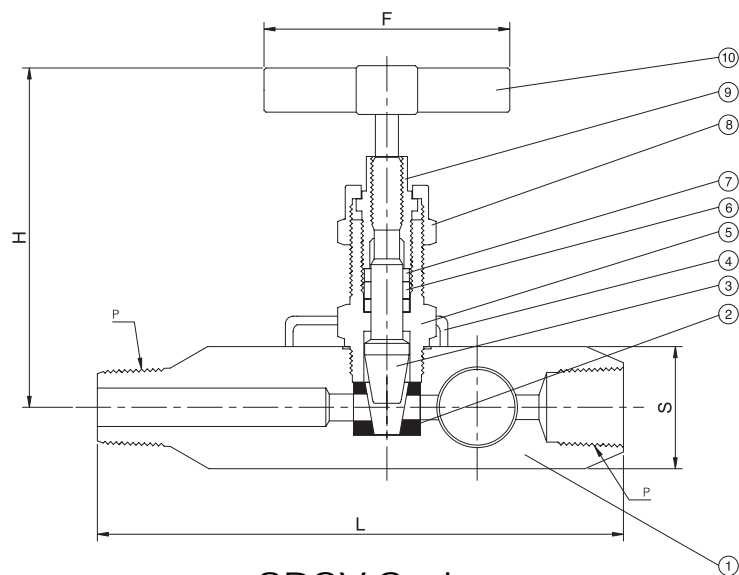


### Features

Pressure rating up to 6000psi(413bar) at 38°C(100°F)  
 Temperature rating from -53°C(-65°F) up to 523°C(973°F) with optional Grafoil packing.  
 Usage at greater than 93°C(200°F) is not recommended

### Materials of Construction

No.	Description	Materials
1	Body	316SS
2	Seat	PTFE
3	Stem	316SS
4	Hex Stopper	304SS
5	Bonnet	316SS
6	Packing	PTFE
7	Packing Ring	316SS
8	Packing Nut	316SS
9	Spindle Bushing	316SS
10	Handle	304SS



SRGV Series

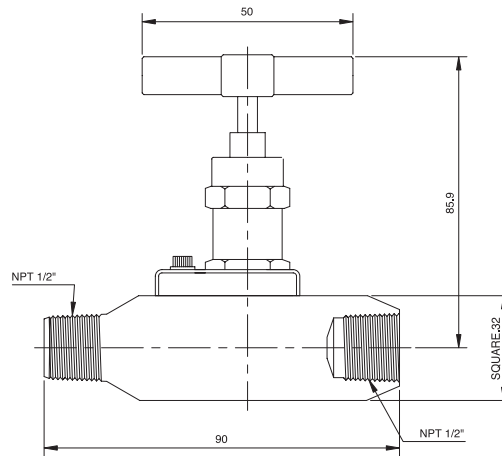
### Testing

Every valve is 100% factory tested with air and nitrogen at 1000psi(69bar) for leakage at the seat. Each test is performed to a maximum allowable leak rate of 0.1scc/min.

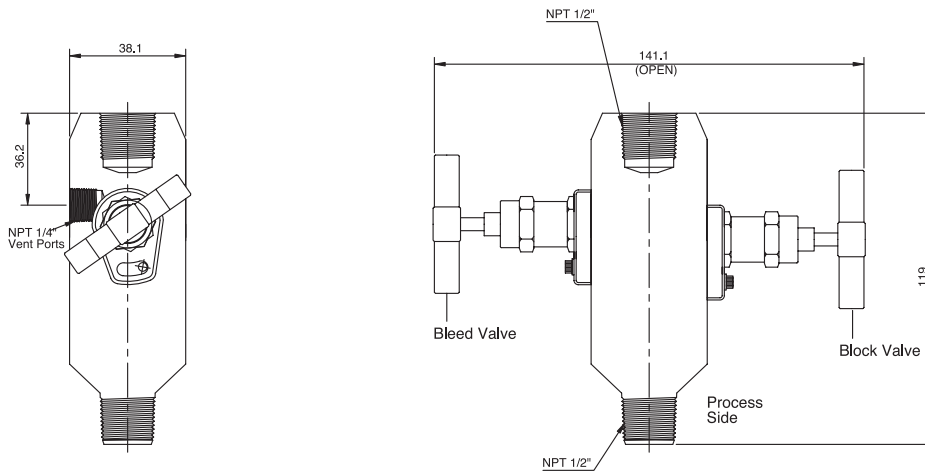
### Table of Dimension

Part No.	End Connection P		Dimensions(mm)			
	Process	Instrument	L	H	F	S
SRGV-08N	1/2" NPT	1/2" NPT	136.0	87.0	50.0	32.0

## Table of Dimension



SRV Series



SRGV2 Series

## How to Order

Part No.	End Connection		Orifice(mm)	Seat	Stem Packing	Body Length
	Process	Instrument				
SRV-08N	1/2"NPT	1/2"NPT	5.0	316SS	PTFE	90.0
SRGV-08N	1/2"NPT	1/2"NPT	5.0	316SS	PTFE	136.0
SRGV-12N	3/4"NPT	3/4"NPT	5.0	316SS	PTFE	136.0
SRGV-08N-12N	1/2"NPT	3/4"NPT	5.0	316SS	PTFE	136.0
SRGV-12N-08N	3/4"NPT	1/2"NPT	5.0	316SS	PTFE	136.0
SRGV2-08N-12N	1/2"NPT	3/4"NPT	5.0	316SS	PTFE	119.0
SRGV2-12N-08N	3/4"NPT	1/2"NPT	5.0	316SS	PTFE	119.0



**유니온금속공업(주)**  
UNION METAL INDUSTRIAL CO.,LTD.

### Head Office and Factory

133 Block-1Lot, Namdong Industrial Complex,  
704, Gojan-Dong, Namdong-Gu, Incheon, KOREA.  
TEL:+82-32-821-6601 FAX:+82-32-821-6604  
<http://www.unilok.com> E-mail : unilok@unilok.com

### Master Distributor

**Kor-Lok USA, LLC**  
15060 West Drive, Suite 100 Houston, TX 77053, USA  
TEL:+1-281-437-8400 FAX:+1-281-437-8437  
<http://www.korlokusa.com> E-mail:michelle@korlokusa.com