

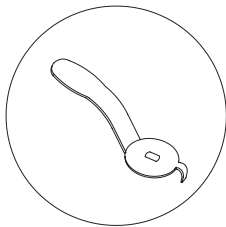
Instrumentation Hex Ball Valves



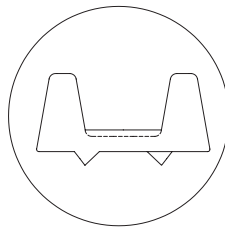
Features

- Pressure rating up to 1000psi(69bar)
- Easy to operate owing to low torque quarter turn actuation
- All valve body's made from 316SS Bar Stock to secure the high integrity
- Micro finished 316SS balls not to occur the leakage
- Compact designed one piece hexagonal body
- Selection of Handle : Lever type as standard, Butterfly type optional
- Wide choices of end connections : Kor-Lok Tube Fittings, Male & Female NPT or PT(ISO 7/1) thread.

Type of Handle



Lever Handle(standard)

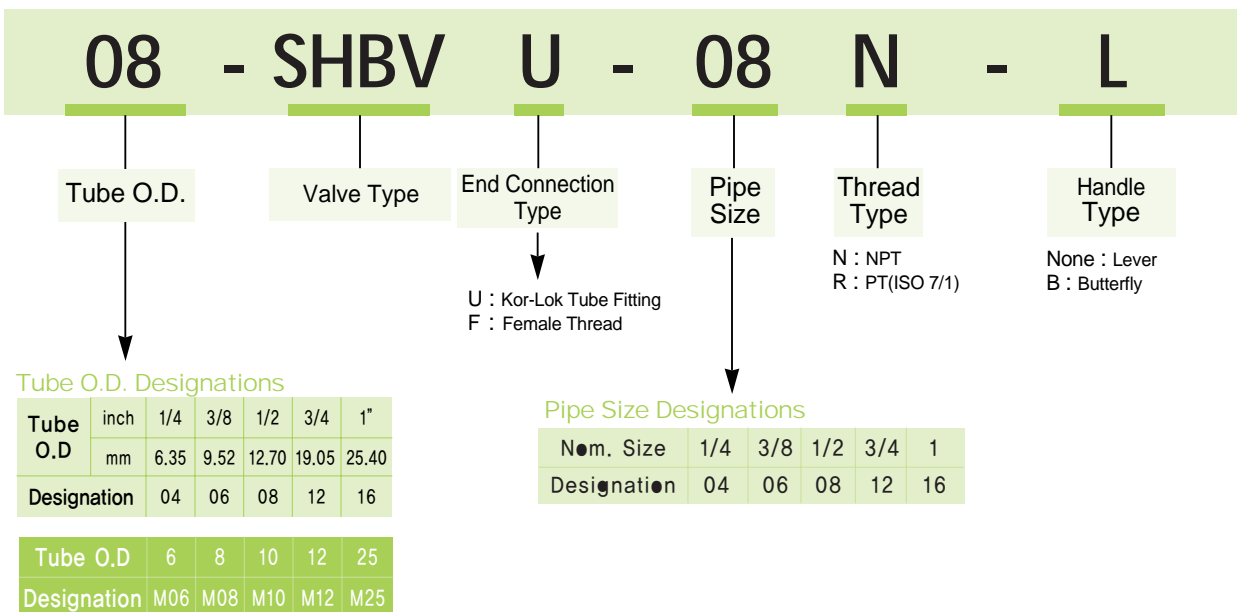


Butterfly Handle

Testing

- Every valve is 100% factory tested with air and nitrogen at 1000psi(69bar) for leakage at the seat and packing. Each test is performed to a maximum allowable leak rate of 0.1scc/min.

How to Order



Example;

08-SHBVU : Hex Ball Valve, 1/2"OD, Lever Handle

SHBVF-04N-B : Hex Ball Valve, 1/4" Female NPT, Butterfly Handle

SHBVU Series(Kor-Lok Tube Fitting)

Specification

Max Operating Pressure : 316SS- 1000psi(69Bar)
 Connection : Kor-Lok Tube Fitting



Materials of Construction

No.	Description	Materials
1	Body	316SS
2	Connector	316SS
3	Front Ferrule	316SS
4	Back Ferrule	316SS
5	Nut	316SS
6	Ball Seat	PTFE(Glass 30%)
7	O-ring	Viton
8	Ball	316SS
9	Inner Packing	TFE
10	Stem	316SS
11	Outer Packing	TFE
12	Gland	316SS
13	Washer	316SS
14	Handle	AL304+PVC COT

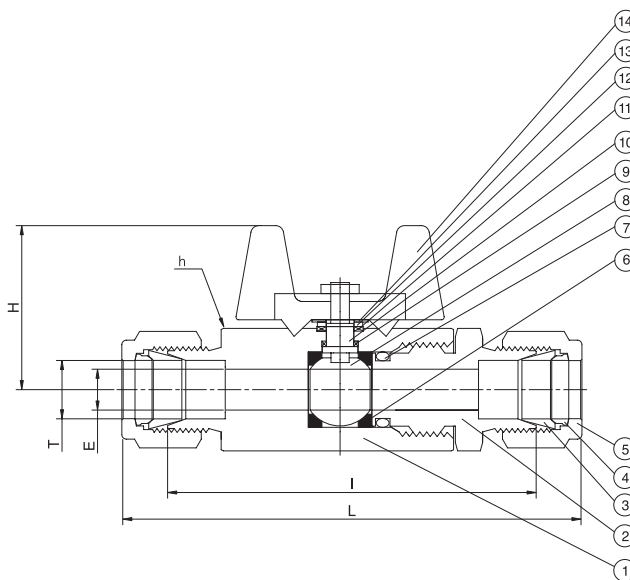


Table of Dimension

Unit : mm

Part No.	Tube O.D.	Orifice	h(Hex)	L	H
04-SHBVU	1/4"	5.0	17.46	81.0	35.0
06-SHBVU	3/8"	7.5	22.22	90.0	42.0
08-SHBVU	1/2"	9.0	26.98	99.0	49.0
12-SHBVU	3/4"	12.5	31.75	110.0	54.0
16-SHBVU	1"	16.0	38.10	134.0	65.0
M06-SHBVU	6mm	5.0	17.46	81.0	35.0
M08-SHBVU	8mm	5.0	17.46	82.8	35.0
M10-SHBVU	10mm	7.5	22.22	90.0	42.0
M12-SHBVU	12mm	9.0	26.98	99.0	49.0
M25-SHBVU	25mm	16.0	38.10	134.0	65.0

Note : Dimensions are reference only, subject to change without prior notice.

SHBVF Series(Female Thread)

Specification

Max Operating Pressure : 316SS- 1000psi(69Bar)

Connection : Female NPT or PT(ISO 7/1) Thread



Materials of Construction

No.	Description	Materials
1	Body	316SS
2	Insert	316SS
3	Ball Seat	PTFE(Glass 30%)
4	Ball	316SS
5	Inner Packing	TFE
6	Stem	316SS
7	Outer Packing	TFE
8	Gland	316SS
9	Washer	304SS
10	Handle	AL304+PVC COT

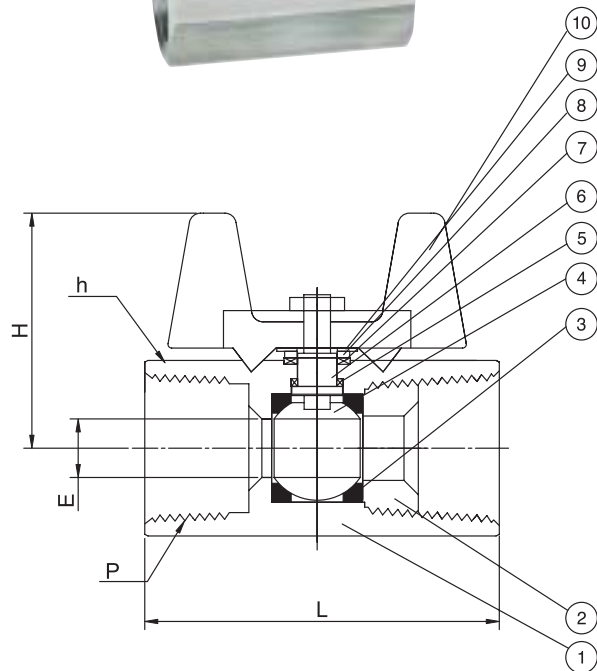


Table of Dimension

Unit : mm

Part No.	P(NPT)	Orifice	h(Hex)	L	H
SHBVF-04N	1/4"	5.0	17.46	40.0	35.0
SHBVF-06N	3/8"	7.5	22.22	45.0	42.0
SHBVF-08N	1/2"	9.0	26.98	54.5	49.0
SHBVF-12N	3/4"	12.5	31.75	61.0	54.0
SHBVF-16N	1"	16.0	38.10	75.0	65.0

Male ISO Tapered Threads are available for all fractional SHBVF. Add "R" as a suffix instead of "N".

Note : Dimensions are reference only, subject to change without prior notice.



유니온금속공업(주)
UNION METAL INDUSTRIAL CO.,LTD.

Head Office and Factory

133 Block-1Lot, Namdong Industrial Complex.
704, Gojan-Dong, Namdong-Gu, Incheon, KOREA.
TEL:+82-32-821-6601 FAX:+82-32-821-6604
<http://www.unilok.com> E-mail : unilok@unilok.com

Master Distributor

Kor-Lok USA, LLC
15060 West Drive, Suite 100 Houston, TX 77053, USA
TEL:+1-281-437-8400 FAX:+1-281-437-8437
<http://www.korlokusa.com> E-mail:michelle@korlokusa.com