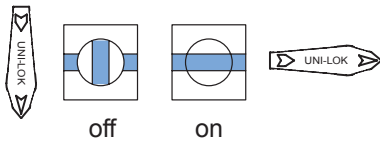
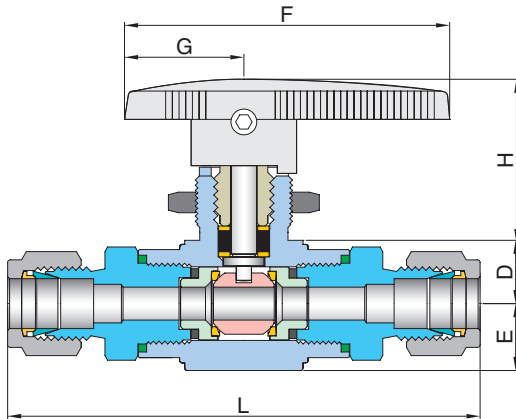


VB6F series

(2 Way, Shut-Off
Both UNILOK Tube Fittings or
Both Female or Male Threads)



Ordering Information & Dimensions

Part Number	End Connection		Orifice	CV	Dimensions (mm)					
	Inlet	Outlet			L	E	D	H	F	G
VB6F1	U-04T-	1/4" UNILOK	4.2	0.93	75.2	9.5	8.4	23.2	46.0	17.4
	F-02N-	1/8" Female NPT			54.4					
	M-04N-	1/4" Male NPT			68.6					
VB6F2	U-04T-	1/4" UNILOK	6.4	2.34	88.7	13.0	12.3	31.8	63.2	23.2
	U-06T-	3/8" UNILOK			91.4					
	U-M06T-	6mm UNILOK			88.7					
	U-M08T-	8mm UNILOK			91.0					
	U-M10T-	10mm UNILOK			93.0					
	F-04N-	1/4" Female NPT			77.0					
	M-04N-	1/4" Male NPT			82.2					
	M-06N-	3/8" Male NPT			82.2					
VB6F3	U-08T-	1/2" UNILOK	10.3	6.42	118.8	18.5	17.0	46.1	108.0	32.5
	U-12T-	3/4" UNILOK			118.4					
	U-M12T-	12mm UNILOK	9.5	5.57	118.8					
	F-06N-	3/8" Female NPT	10.3	6.42	98.9					
	F-08N-	1/2" Female NPT	109.2							
	M-08N-	1/2" Male NPT	112.8							

ISO7/1 Tapered Threads (PT) are available for all fractional sizes of VB6F series valves.
Add "R" as a suffix instead of "N".

Dimensions are for reference only and are subject to change without prior notice.