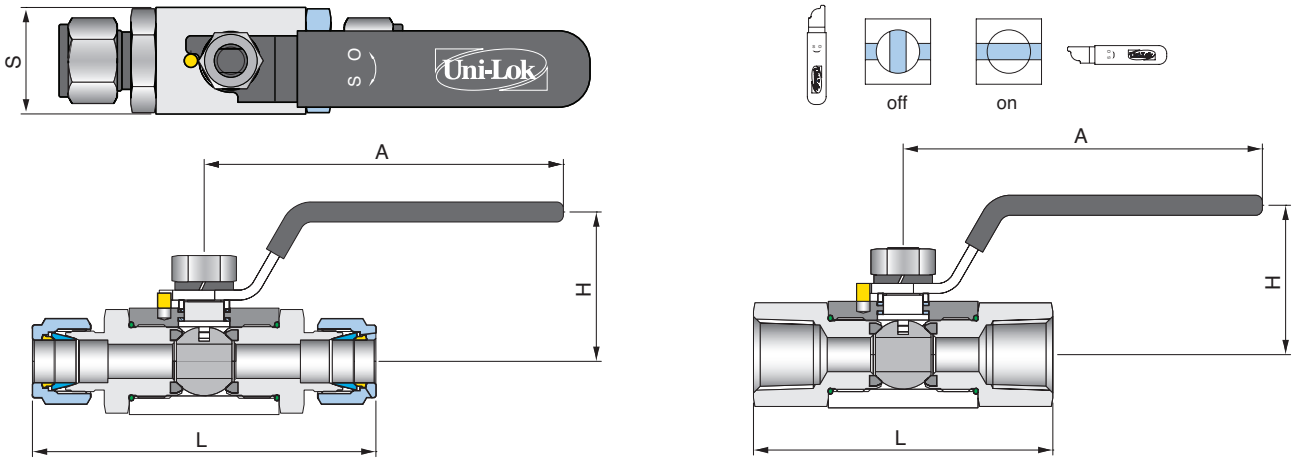


# VB6B series

## (2 Way, Shut-Off Both UNILOK Tube Fittings or Both Female or Male Threads)



### Ordering Information & Dimensions

Part Number	End Connection		Orifice	CV	Dimensions (mm)			
	Inlet	Outlet			L	S	H	A
VB6B1	U-04T-	1/4" UNILOK	4.8	1.2	92.0	32.0	45.0	108.0
	U-06T-	3/8" UNILOK	7.1	3.7	95.0			
	U-08T-	1/2" UNILOK			103.0			
	F-04N-	1/4" Female NPT	10.0	7.5	70.0			
	F-06N-	3/8" Female NPT			75.0			
	F-08N-	1/2" Female NPT			90.0			
	M-04N-	1/4" Male NPT	7.1	3.7	85.0			
	M-06N-	3/8" Male NPT	9.7	7.2	85.0			
	M-08N-	1/2" Male NPT	10.0	7.5	85.0			
VB6B2	U-12T-	3/4" UNILOK	12.7	10.0	110.6	40.0	55.0	148.0
	F-08N-	1/2" Female NPT			90.0			
	F-12N-	3/4" Female NPT			98.0			
	M-12N-	3/4" Male NPT			105.0			
VB6B3	U-12T-	3/4" UNILOK	19.0	30.0	118.6	50.0	60.0	148.0
	U-16T-	1" UNILOK			127.5			
	F-12N-	3/4" Female NPT	15.8	19.0	95.0			
	F-16N-	1" Female NPT	19.0	30.0	106.0			
	M-12N-	3/4" Male NPT	15.8	19.0	115.0			
	M-16N-	1" Male NPT	19.0	30.0	125.0			

ISO7/1 Tapered Threads (PT) are available for all fractional sizes of VB6B series valves.  
Add "R" as a suffix instead of "N".

Dimensions are for reference only and are subject to change without prior notice.