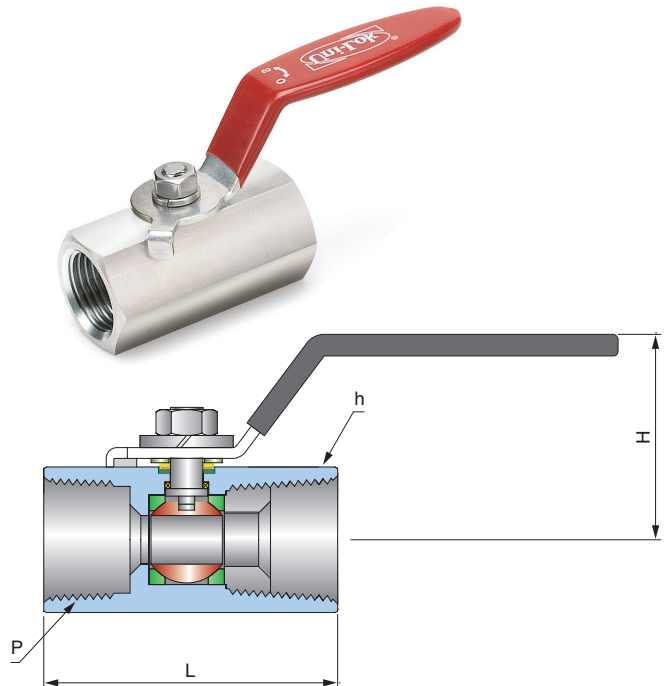


## VB1F series

### (Both Female Threads)

- Max Operating Pressure  
1000psig (69bar) at 38°C(100°F) with PTFE seat  
2000psig(69bar) at 38°C(100°F) with TFM seat
- PEEK seats not applicable
- Connection Type  
Both NPT or ISO7/1(PT) female threads
- Handle Type  
Lever, Butterfly and Bar



### Ordering Information & Dimensions

Part No.		End Connections		Orifice	Dimensions (mm)		
		Inlet	Outlet		h(Hex)	L	H
VB11	F-04N-	1/4" Female NPT		5.0	17.46	40.0	29.0
VB12	F-06N-	3/8" Female NPT		7.5	22.22	45.0	35.7
VB13	F-08N-	1/2" Female NPT		9.0	26.98	54.5	38.1
VB14	F-12N-	3/4" Female NPT		12.5	31.75	61.0	44.5
VB15	F-16N-	1" Female NPT		16.0	38.10	75.0	48.0

Female ISO7/1 Tapered Threads (PT) are available for all fractional sizes of VB1F series valves.  
Add "R" as a suffix instead of "N".

Dimensions are for reference only and are subject to change without prior notice.