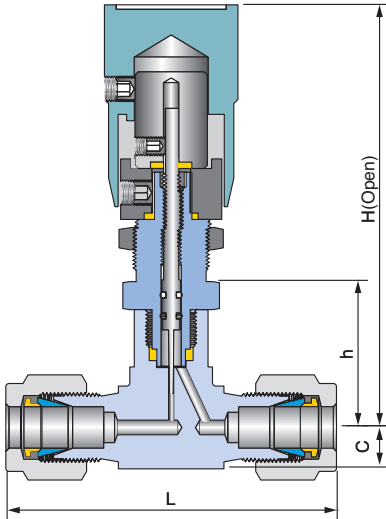


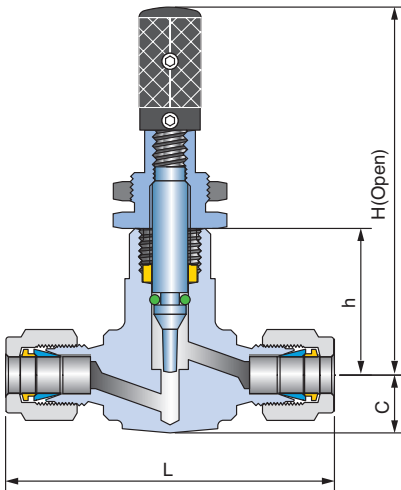
## VMTS series (Stem Angle 1°, Orifice 0.81mm)



### Ordering Information & Dimensions

Part Number	End Connection		Orifice	CV (Max)	Dimensions (mm)				Panel Hole Drill Size
	Inlet	Outlet			L	C	h	H (Open)	
VMTS	U-02T-	1/8" UNILOK	0.81	0.005	48.3	6.8	22.9	65.0	11.5
	U-04T-	1/4" UNILOK			51.8				
	U-M03T-	3mm UNILOK			48.3				
	U-M06T-	6mm UNILOK			51.8				
	C-04M	1/4" Male UCR			52.3				

## VMTM series (Stem Angle 3°, Orifice 1.42mm)



### Ordering Information & Dimensions

Part Number	End Connection		Orifice	CV (Max)	Dimensions (mm)				Panel Hole Drill Size
	Inlet	Outlet			L	C	h	H (Open)	
VMTM	U-02T-	1/8" UNILOK	1.42	0.033	52.3	9.7	26.0	67.0	15.0
	U-04T-	1/4" UNILOK			58.3				
	U-M03T-	3mm UNILOK			52.3				
	U-M06T-	6mm UNILOK			58.3				
	F-02N-	1/8" Female NPT			42.0				
	M-02N-	1/8" Male NPT			41.2				
	M-04N-	1/4" Male NPT			50.0				

ISO7/1 Tapered Threads (PT) are available for all fractional sizes of VMT series valves. Add "R" as a suffix instead of "N".

Dimensions are for reference only and are subject to change without prior notice.