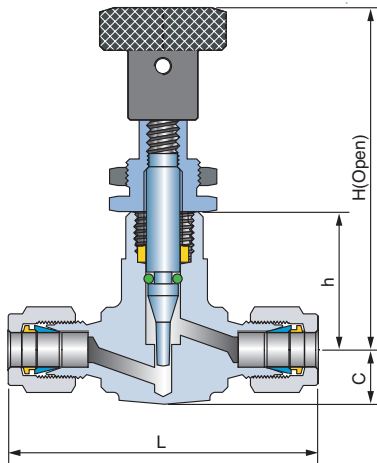


VMTL series

(Stem Angle 5°, Orifice 3.25mm)



Ordering Information & Dimensions

Part Number	End Connection		Orifice	CV (Max)	Dimensions (mm)				Panel Hole Drill Size
	Inlet	Outlet			L	C	h	H (Open)	
VMTL	U-04T-	1/4" UNILOK	3.25	0.155	58.3	9.7	26.0	67.0	15.0
	U-06T-	3/8" UNILOK			58.6				
	U-M06T-	6mm UNILOK			58.3				
	M-04N-	1/4" Male NPT			50.0				

ISO7/1 Tapered Threads (PT) are available for all fractional sizes of VMT series valves. Add "R" as a suffix instead of "N".

Dimensions are for reference only and are subject to change without prior notice.