



INSTRUMENTATION

GATE VALVES

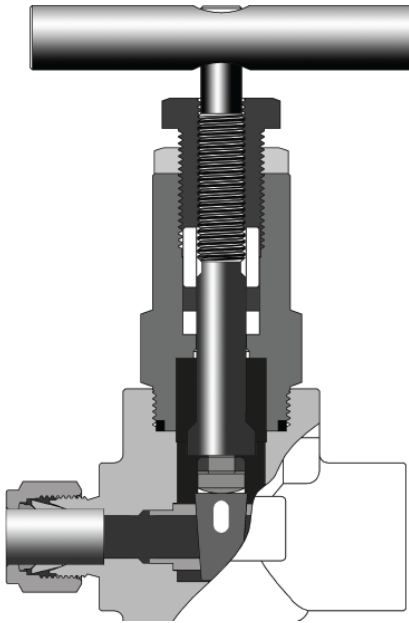
VGT3 Series

UNIC-VGT3

November, 2012, R0

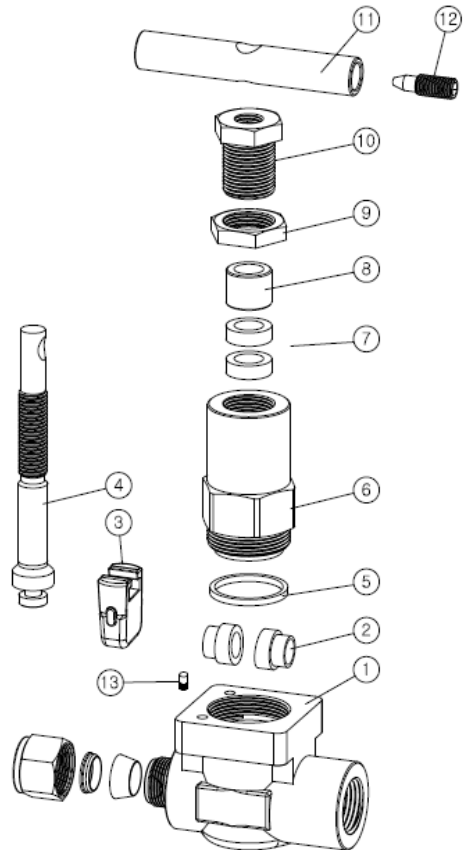


Features



- Design Spec : ANSI/ASME B16.34
- Pressure Rating : Up to 3,600 psig (248bar) @21° C
- Temperature Rating :
 - From -23° C to 232° C (-65° F to 350° F) with PTFE packing,
 - up to 648° C (1200° F) with grafoil packing
- Body Materials : Standard 316 stainless steel, A105 and alloy400
- Compact forged body design
- Back seat design provides anti-blow out of stem and seal
- The hard faced seat ring and wedge enable longer life cycle
- Packing bolt allows easy packing adjustment for leak tight seal
- Handle Low operating torques

No.	Description	Materials		
		316SS	A105	Alloy 400
	Body Material	316SS	A105	Alloy 400
1	Body	316SS/A182	A105	Alloy 400/B564
2	SEAT	316SS/A479		Alloy 400 / B164
3	DISC	CF8M/A479		UNS N04400
4	STEM	316SS/A479		Alloy 400/B164
5	BONNET PACKING	Grafoil		
6	BONNET	316SS/A479	A105	Alloy 400/B164
7	PACKING	PTFE (Available Grafoil)		
8	GRAND	316SS/A479		
9	LOCK NUT	316SS/A479		
10	PACKING BOLT	316SS/A479		
11	HANDLE	316SS		
12	HANDLE SCREW	304SS		
13	PIN	304SS		



Cleaning

Uni-Lok valves are free from machine oils, loose particles and grease throughout the close cleaning process.

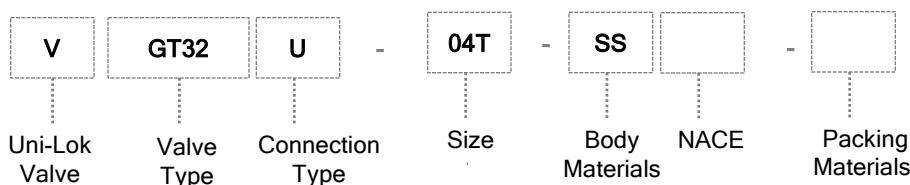
Testing

Every valve is 100% factory tested with air and nitrogen at 1000psig(69bar) for leakage at the seat and packing.

Each test is performed to a maximum allowable leak rate of 0.1scc/min.

How To Order

Uni-Lok VGT3 series gate valves are ordered by part number as shown as below.



Sour Environment Services

Uni-Lok tube comply with NACE MR-0175/ISO 115156 for sour oilfield application or NACE MR-0103 for petroleum refining operations.

To order, add -N to the end of part number.

Important Notification

The packing adjustment may be required during the valve's service life.

Proper installation, materials compatibility, operation and maintenance of these valves are the responsibility of the user. The total system design must be taken into consideration to ensure optimal performance and safety.

Valve Type	
GT3	INSTRUMENT GATE VALVE

Fractional(Inch) Tube O.D. Designation						
Tube O.D.	inch	1/4	3/8	1/2	3/4	1
	mm	6.35	9.52	12.70	19.05	25.40
Designator		04T	06T	08T	12T	16T

Materials	
SS	316 SS
MO40	Alloy 400

Connection Type	
U	Uni-Lok Tube Fitting
F	Female NPT or ISO7/1(PT)
WS-*P	Socket Weld-Pipe

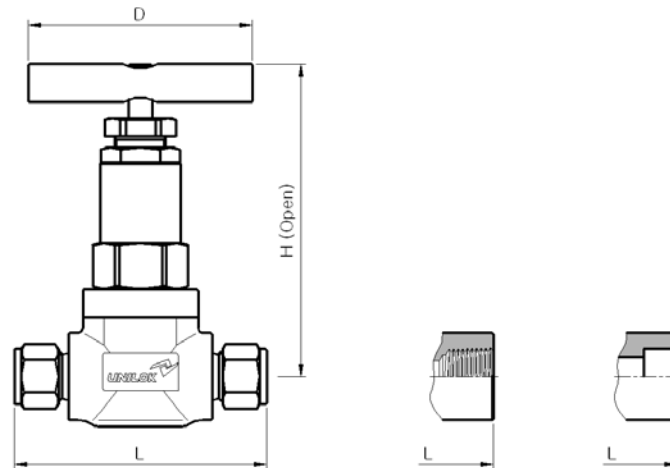
Metric Tube O.D. Designation						
Tube O.D.	mm	6	10	12	20	25
Designator		M06T	M10T	M12T	M20T	M25T

NACE Application	
None	-
N	NACE Application

Pipe Size Designation (NPT or ISO7/1(PT))					
Pipe Size	1/4	3/8	1/2	3/4	1
Designator	04N/R	06N/R	08N/R	12N/R	16N/R

Packing Materials	
None	PTFE
G	Grafoil

Weld Size Designation					
Pipe Size	1/4	3/8	1/2	3/4	1
Designator	04P	06P	08P	12P	16P



Ordering Information & Dimensions

Part Number	End Connection		Port	Orifice	Cv	Dimensions (mm)		
	Inlet	Outlet				L	H	D
VGT31	F-04N-	1/4" Female NPT	Full	6.4	2.6	70.0	100.0	64.0
	F-06N-	3/8" Female NPT	Reduced					
	U-06T-	3/8" Uni-Lok	Full					
	U-08T-	1/2" Uni-Lok						
	WS-04P-	1/4" Pipe SW	Reduced					
	WS-06P-	3/8" Pipe SW						
VGT32	F-06N-	3/8" Female NPT	Full	10.0	6.1	86.0	140.0	89.0
	F-08N-	1/2" Female NPT	Reduced					
	U-08T-	1/2" Uni-Lok						
	U-10T-	5/8" Uni-Lok	Full					
	WS-06P-	3/8" Pipe SW	Reduced					
	WS-08P-	1/2" Pipe SW						
VGT33	F-08N-	1/2" Female NPT	Full	12.7	11.3	100.0	170.0	110.0
	F-12N-	3/4" Female NPT	Reduced					
	U-12T-	3/4" Uni-Lok						
	U-16T-	1" Uni-Lok	Full					
	WS-08P-	1/2" Pipe SW	Reduced					
	WS-12P-	3/4" Pipe SW						
VGT34	F-12N-	3/4" Female NPT	Full	19.0	26.3	127.0	210.0	140.0
	F-16N-	1" Female NPT	Reduced					
	U-16T-	1" Uni-Lok	Full					
	WS-12P-	3/4" Pipe SW	Reduced					
	WS-16P-	1" Pipe SW						

Female ISO7/1 Tapered Threads (PT) are available for all fractional sizes of VC series valves. Add "R" as a suffix instead of "N".

Dimensions are for reference only and are subject to change without prior notice.



본사 및 제1공장
 인천광역시 남동구 고진동 725-13번지
 남동공단 152블럭 12롯데 ☎ 405-822
 전화 : 032-822-6600
 팩스 : 032-822-6604

Headquarters & 1st Factory
 152 Block-12 Lot, Namdong Indus-Park, 725-13,
 Gojan-Dong, Namdong-Gu, Incheon, Korea
 Tel : +82-32-821-6673
 Fax : +82-32-822-6604

제2공장
 인천광역시 남동구 고진동 684-7번지
 남동공단 114블럭 8롯데 ☎ 405-818
 전화 : 032-433-6601
 팩스 : 032-441-7600

2nd Factory
 114 Block-8 Lot, Namdong Indus-Park, 684-7,
 Gojan-Dong, Namdong-Gu, Incheon, Korea
 Tel : +82-32-433-6601
 Fax : +82-32-441-7600

