

# Pressure Reducing Valve



VPR series

## Features

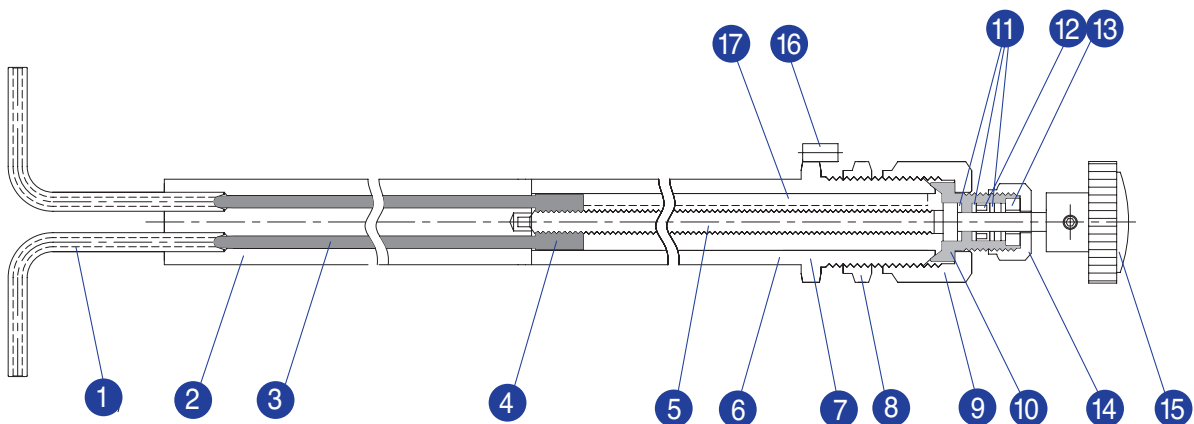
- No Plugging
- Easy Cleaning & Maintaining
- Simple adjusting under various pressure conditions
- No corrosion

## Specification

- Max Operating Temperature : 50°C(122°F)~149°C(300°F)
- Max Operating Pressure : 5000psi at 149°C(300°F)
- Sample Flow Range : 150ml/min~4000ml/min
- Pressure Reducing Range : 5~5000 psi
- Installation : Panel Mounting
- Connection : Tube, Socket Weld, 37° Flare & Elbow



## Materials of Construction

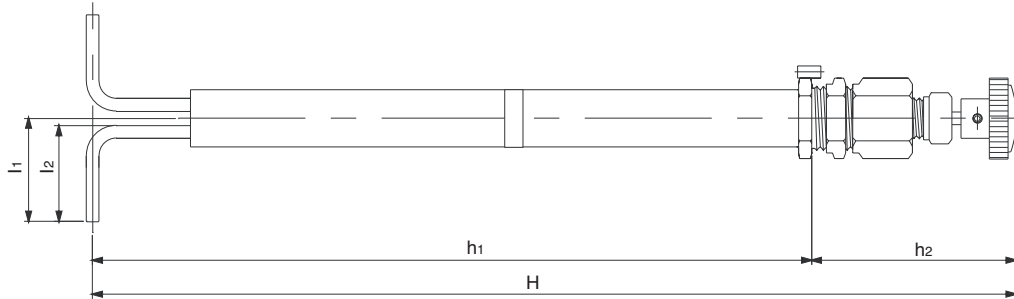


No.	Description	Materials	No.	Description	Materials	No.	Description	Materials
1	Tube	316SS	7	Bushing Body	316SS	13	Spindle Gland	Brass
2	Seat Body	304SS	8	Panel Nut	304SS	14	Spindle Nut	316SS
3	Long Stem	316SS	9	Body Nut	316SS	15	Handle	Xenoy
4	Stem Holder	316SS	10	Spindle Bushing	316SS	16	Loader	304SS
5	Spindle	316SS	11	Gasket Ring	Brass/PTFE	17	Holder Loader	316SS
6	Middle Body	316SS	12	Packing Seal	PTFE			

## Application

In modern power generation plants & general industrial boilers, chemical analysis of water and steam samples requires precise control of flow and pressure. High pressure reduction occurs unique sampling problems.

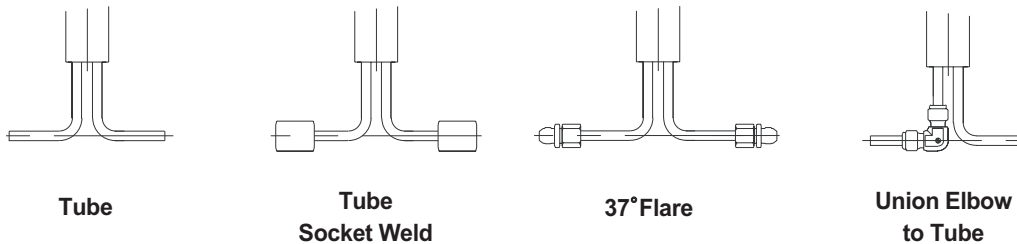
UNILOK SPRV series is a valve specially designed to solve these kinds of problems.



## Ordering Information & Dimensions

Part Number	End Connection	Dimensions (mm)					
		H	h1	h2	l1	l2	
VPR	04T-	1/4" UNILOK	461.0	359.0	102.0	51.6	48.0
	04P-	1/4" Tube SW					
	04F-	1/4" 37° Flare					
	04E-	1/4" Union Elbow					

## End Connection Type



## Important Notification

Proper installation, materials compatibility, operation and maintenance of these valves are the responsibility of the user. The total system design must be taken into consideration to ensure optimal performance and safety.



CONNECTS THE WORLD SINCE 1984 [www.unilok.com](http://www.unilok.com)

### 본사 및 제1공장

인천광역시 남동구 남동동로 64번길 37  
 남동공단 152블럭 12로트  
 전화 : 032-822-6600  
 팩스 : 032-822-6604

### 제2공장

인천광역시 남동구 남동서로 83번길 87  
 남동공단 114블럭 8로트  
 전화 : 032-433-6601  
 팩스 : 032-441-7600

### Headquarters & 1<sup>st</sup> Factory

152 Block-12 Lot, Namdong Indus-Park, 37, Namdongdong-ro  
 64beon-gil, Namdong-Gu, Incheon, Korea  
 Tel : +82-32-821-6673  
 Fax : +82-32-822-6604

### 2<sup>nd</sup> Factory

114 Block-8 Lot, Namdong Indus-Park, 87, Namdongseo-ro  
 83beon-gil, Namdong-Gu, Incheon, Korea  
 Tel : +82-32-433-6601  
 Fax : +82-32-441-7600